

Features

- Very high output to size ratio – 135.4 dB SPL (1m) peak at only 15" tall
- Tight musical “punch” combined with low-frequency extension down to 32 Hz
- Extremely low profile (15") and small foot print
- Screw-in (M20) pole mount for use with full-range pole mountable speakers
- Elegant transport and handling features including an optional transport dolly plus soft cover and four thoughtfully placed handles
- Premium-grade, long-excursion, high-power woofers with 4" voice coils
- 15 mm Birch ply enclosure with extensive internal bracing for rigidity and solid, accurate reproduction



The GP212-sw is a premium, high-performance, rectangular dual 12" 4th order band-pass subwoofer designed for ground stacked use in touring or installed concert applications where space constraints or enclosure size are an issue. With an impressive combination of punch, low-frequency extension and musical accuracy, the GP212-sw is an ideal companion for QSC's acclaimed WideLine series as well as other professional sound reinforcement systems.

For suspension in permanent installations each GP212-sw subwoofer comes with a total of six (6) threaded M10 inserts.

For ground-supported applications, the subwoofers may be stacked horizontally using their interlocking feet and recess features machined into the enclosure's top panel. A screw-in (M20) pole mount has been added to provide flexibility in use with small 2-way pole mount full-range speakers.

The extremely musical yet powerful performance of the subwoofer is the result of carefully balancing the transducer selection, cabinet volume and port tuning. The resulting system offers plenty of “punch” while maintaining ample extension so the musically important and satisfying fundamentals are solidly and accurately reproduced.

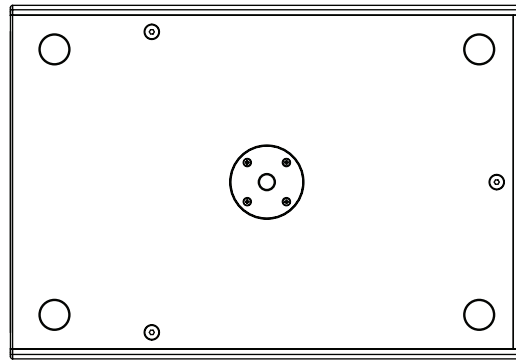
The enclosure of the GP212-sw is constructed of premium quality birch plywood finished in an environmentally friendly, waterborne, polymer finish that stands up to life on the road while also being field repairable. Extensive internal bracing is employed to eliminate acoustic losses due to panel resonance. Further contributions to cabinet rigidity come from vent walls constructed of the same plywood as the enclosure.

Despite the extremely large amount of air moving in the ports, careful attention to detail has resulted in a system that is free of port distortion “chuffing.” Ample port area

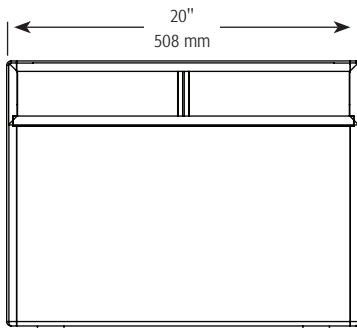
allows massive amounts of air to move freely with minimal turbulence.

Like its “flyable” brother, the WL212-sw, the GP212-sw subwoofer's sonic performance and output capacity to size ratio are second to none. For those who only need the exceptional sonic performance, without the need for expensive rigging and flying capability – the GP212-sw gives the exact same sonic impact as the WL212-sw, but for a more economical price tag.

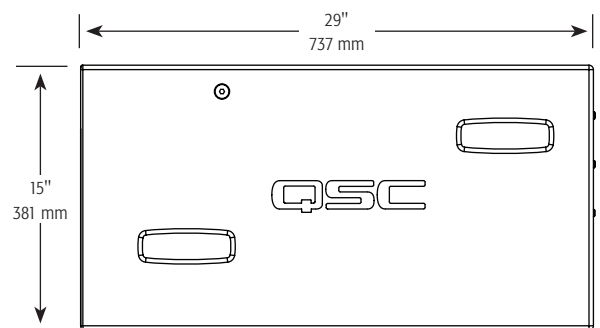
QSCControl.net™/BASIS™ & SC28 DSP files are available for download. They have been fine tuned for use with the GP212-sw and the WL212-sw to provide optimized performance right out of the box.



Top



Front



Side

Configuration	2 x 12" - 4th order band-pass subwoofer
Transducers	2 x 550 W, 8Ω 12" woofer with a 4" voice coil, ceramic magnet assembly
Frequency Response (±3 dB)	40 Hz - 100 Hz (without processing)
Frequency Range (-10 dB)	32 Hz - 107 kHz (without processing)
Nominal Impedance	4Ω
Continuous Power Capacity	1100 W
Recommended Power	1650 - 2200 W
Sensitivity (1 W at 1 m)	99 dB
Maximum Output - Continuous/Peak (SPL at 1 m)	129.4 dB / 135.4 dB
Cabinet Type	4th order band-pass
Enclosure Material	Baltic birch plywood / 15 mm
Connectors	2 x NL4 in parallel
Pin Outs	Pins 1+/1- Sub 2+/2- NC
Attachment Points	Six (6) threaded M10 inserts
Weight (Net / Shipping)	99.5 lbs (45.1 kg) / 115.5 lbs (52.4 kg)
Dimensions (HWD)	15" x 20" x 29" (381 mm x 508 mm x 737 mm)
Accessories Available (optional)	CP212-1 – 4-wheel transportation Dolly plus soft cover (for one sub) CP212-2 – 4-wheel transportation Dolly plus soft cover (for two subs stacked)

Specifications subject to change without notice.

QSC, the QSC logo, WideLine, QSControl.net and BASIS are registered trademarks of QSC Audio Products LLC in the U.S. Patent and Trademark office and other countries. All other trademarks are the property of their respective owners. Patents may apply or be pending.

1675 MacArthur Boulevard • Costa Mesa, CA 92626 • Ph: 800/854-4079 or 714/957-7100 • Fax: 714/754-6174

GP212-sw Spec Sheet - 05/13/08