



GP Series

GP118-sw

High Output, Direct Radiating,
Vented Subwoofer

Features

- Premium-grade, long excursion, high power 18-inch transducer with 4-inch voicecoil, dual layer spider and triple-roll surrounds
- Interlocking feet and recess features allow for rigid vertical stacking
- Built-in handles for ease of transport
- Threaded pole cup for deploying a full-range loudspeaker on top
- M10 fittings allows for suspension in permanent and portable applications
- Dual NL4 Speakon connectors
- 18mm Baltic birch plywood construction
- 16-Gauge powder coated steel grilles
- Available in black and white
- Complete EASE, CAD & BIM information available online



Performance Spaces · Worship Facilities · Portable and Live Sound · Dance Clubs · Indoor Sports Facilities · Themed Entertainment

The GP118-sw is a premium, high-performance, direct radiating 18-inch subwoofer designed for use in portable and installed sound applications. This powerful subwoofer offers plenty of “punch” while maintaining ample extension so the musically important fundamentals are solidly and accurately reproduced. With an impressive combination of low-frequency extension and musical accuracy, the GP118-sw is an ideal companion to QSC’s WideLine Series, ILA Series, AcousticPerformance™ Series and AcousticDesign™ Series loudspeakers.

The GP118-sw features an 18-inch transducer that incorporates a double layer spider and triple roll surround for extended and controlled excursion at extreme power. The 4” voice coil is wound on a fiberglass former to prevent deformation at high operating temperatures and is extensively vented to reduce power compression. An aluminum demodulating ring is employed to further reduce distortion.

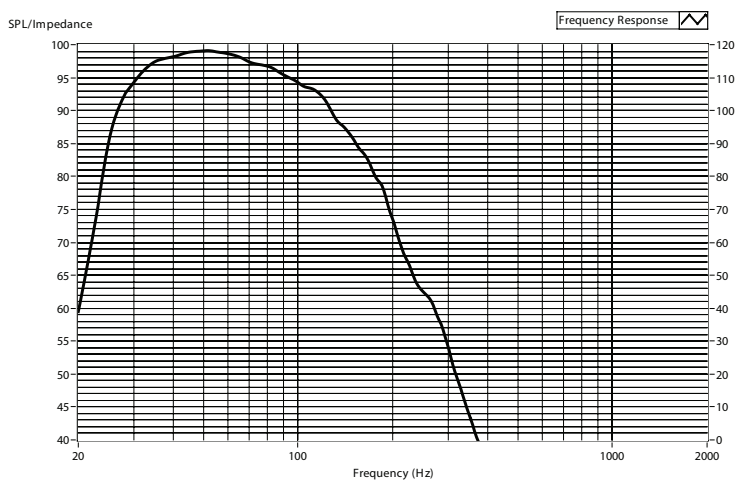
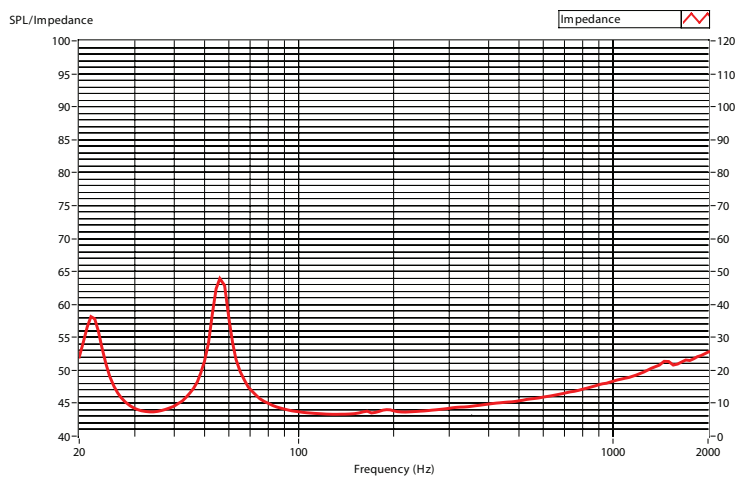
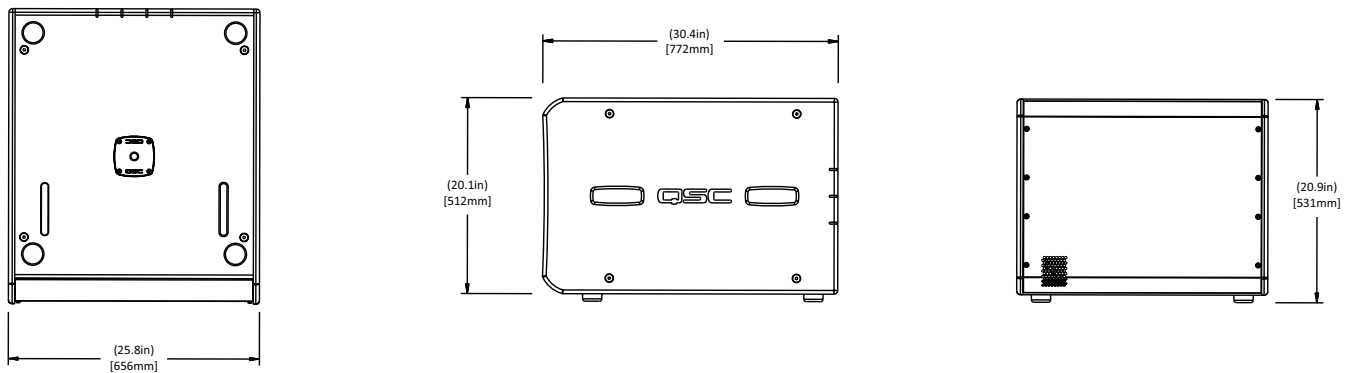
The GP118-sw is housed in an 18mm Baltic birch plywood enclosure and finished in an environmentally friendly, waterborne, polymer finish rugged enough for the demands of everyday use while also being field repairable. Internal bracing is employed to eliminate acoustic losses due to panel resonance while maintaining the enclosure’s robustness.

Further contributions to cabinet rigidity include vent walls constructed of the same plywood as the enclosure. Ample port area allows free movement of air resulting in minimal turbulence and port distortion. Finishing the enclosure’s aesthetic design, the transducer is protected by a 16-gauge, powder coated steel grille.

The GP118-sw includes built-in handles for ease of transport. For increased versatility, the subwoofer can be stacked vertically using their interlocking feet and recess features machined into the enclosure’s top panel. Moreover, the GP118-sw can be reversed to facilitate cardioid array deployment.

GP118-sw Details

Dimensions:



Specifications:

System Details

Frequency Response (-10dB)	29Hz – 800Hz
Power Capacity ¹	850W (82.5V) continuous 1700W peak
Nominal Sensitivity ²	98dB, 1W@1m
Maximum Rated SPL	129dB @1m, continuous ³ 135dB @1m, peak ⁴
Nominal Impedance	8Ω

Transducer	457mm (18-inch) driver with 102mm (4-inch) Voicecoil
------------	---

Recommended Power	1700W
-------------------	-------

Enclosure Details

Input Connector	Dual NL4 connector
-----------------	--------------------

Pin Outs	1+/1- Sub 2+/2- N/C
----------	------------------------

Enclosure Material	18 mm Baltic birch plywood
--------------------	----------------------------

Attachment Points	16x threaded M10 inserts
-------------------	--------------------------

Grille	16 Gauge powder coated steel
--------	------------------------------

Dimensions (HxWxD)	531 mm x 656 mm x 772mm (20.9" x 25.8" x 30.4")
--------------------	--

Net Weight	50.3 kg (111 lb)
------------	------------------

Shipping Weight	54.9 kg (121 lb)
-----------------	------------------

As part of QSC's ongoing commitment to product development, specifications are subject to change without notice.

¹ 2 hour rating using IEC60268 noise based on minimum impedance

² Mid-band based on nominal impedance

³ Calculated as the nominal sensitivity plus 10x the log of continuous rated power in volts squared divided by nominal impedance

⁴ Calculated as the continuous calculated max output plus 6dB

QSC™

1675 MacArthur Boulevard • Costa Mesa, CA 92626 • Ph: 800/854-4079 or 714/957-7100 • Fax: 714/754-6174



please recycle

© 2012 QSC Audio Products, LLC. All rights reserved. QSC and the QSC logo are registered trademarks of QSC Audio Products, LLC in the U.S. Patent and Trademark office and other countries. DMT is a trademark of QSC. Speakon is a registered trademark of Neutrik