

Product Specifications

KSM44A Multi-Pattern Large Dual-Diaphragm Side-Address Condenser Microphone

Overview

The KSM44A is a premium, large-diaphragm, side-address condenser microphone with multiple polar pattern options (cardioid, omnidirectional, bidirectional). The refined and sophisticated design of the KSM44A features an externally biased, dual 1-inch diaphragms, extensive internal pop filtering and Prethos™ Advanced Preamplifier Technology for a ground-breaking threshold minimum of self-noise. The KSM44A is the premier choice for the highest level of professional studio and stage performance.

Features

- A milestone technical achievement, Shure's Prethos™ Advanced Preamplifier Technology provides 4dB of self-noise and max SPL of 131 dB for a total dynamic range of 127 dB – an increase of 7 dB that defines the new standard for cleanly nuanced audio capture
- Multiple polar patterns—cardioid, omnidirectional and bidirectional—for maximum flexibility in a wide variety of recording applications
- Dual 1 inch, externally biased, ultra-thin, 2.5 µm, 24 Karat gold-layered, low mass diaphragms provide superior transient response
- Class A, discrete, transformerless preamplifier for transparency, extremely wide frequency response and no crossover distortion. Minimizes harmonic and intermodulation distortions.
- Premium electronic components and gold-plated internal and external connectors
- Subsonic filter eliminates rumble from mechanical vibration below 17 Hz.
- Switchable 15 dB pad for handling extremely high sound pressure levels (SPLs)
- 3-position switchable low-frequency filter helps reduce unwanted stand vibration noise or counteract proximity effect
- Integrated three-stage “pop” protection grille reduces plosives and other breath noise



KSM44A

Available Models

KSM44A/SL	Includes ShureLock® Suspension Shock Mount, ShureLock® Stand Mount, Carrying Case, and Velveteen Pouch
------------------	--

Specifications

Cartridge Type	Condenser (externally biased)
Polar Pattern	Cardioid, Omnidirectional, Bidirectional
Frequency Response	20 to 20,000 Hz
Output Impedance	50 ohms
Attenuator Switch	15 dB
Low-Frequency Filter Switch	Flat, -6 dB/octave below 115 Hz, or -18 dB/octave below 80 Hz
Power Requirements	11–52 V DC phantom power (IEC-61938) 5.8 mA, maximum
Common Mode Rejection (10 to 100,000 Hz)	> 50 dB
Common Mode Rejection (20 Hz to 20 kHz)	> 50 dB
Polarity	Positive pressure on diaphragm produces positive voltage on pin 2 with respect to pin 3
Net Weight	492 g (17.4 oz.)
Connector	Three-pin professional audio (XLR), male, balanced

		Cardioid	Omnidirectional	Bidirectional			
Sensitivity (open circuit voltage, @ 1 kHz, typical)		-31 dBV / Pa _{rms} (29.8 mV)	-37 dBV / Pa _{rms} (14.8 mV)	-36 dBV / Pa _{rms} (16.8 mV)			
Self Noise (equivalent SPLA - weighted, typical)		4 dB SPL-A	6 dB SPL-A	7.5 dB SPL-A			
Preamplifier Distortion (at 1 kHz, 94 dB SPL)		<0.00 1%					
Signal-to-Noise Ratio		90 dB	88 dB	86.5 dB			
Clipping Level (20 Hz to 20 kHz, 1% THD)	2500 Hz load	9 dBV					
	1000 Hz load	6 dBV					
Dynamic Range (@ 1 kHz)	2500 Hz load	130 dB	134 dB	131 dB			
	1000 Hz load	127 dB	131 dB	128 dB			
Maximum SPL (1 kHz at 1% THD) *		PAD OFF	PAD ON	PAD OFF	PAD ON	PAD OFF	PAD ON
	2500 Hz load	134 dB SPL	150 dB SPL	140 dB SPL	152 dB SPL	139 dB SPL	151 dB SPL
	1000 Hz load	131 dB SPL	147 dB SPL	137 dB SPL	149 dB SPL	136 dB SPL	148 dB SPL

SHURE®

LEGENDARY
PERFORMANCE™

www.shure.com

©2015 Shure Incorporated

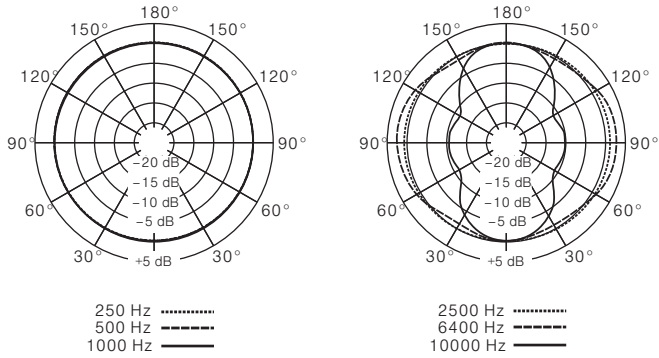
Product Specifications *(KSM44A, Continued)*

Furnished Accessories

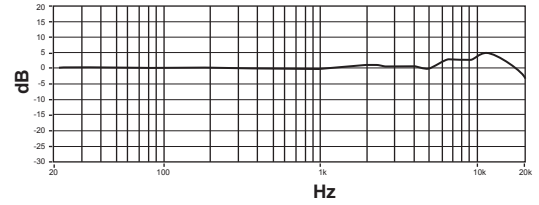
A44AM	ShureLock® Stand Mount	AK44AC	Zippered Carrying Case	A44ASM	ShureLock® Elastic Shock Mount
RK383	Suspension Shock Mount Elastic Cord, Cristal (contains two)	A44AVB	Protective Velveteen Pouch		

Polar Pattern

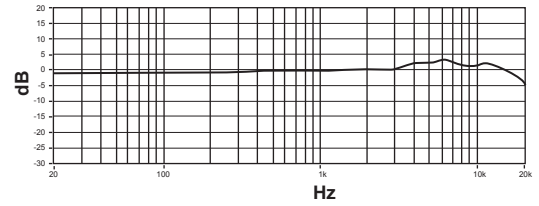
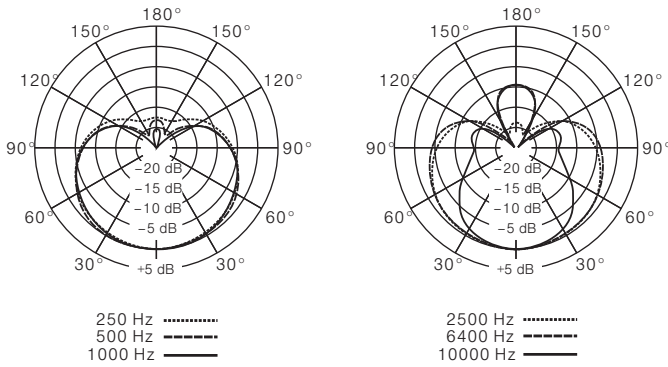
Omnidirectional



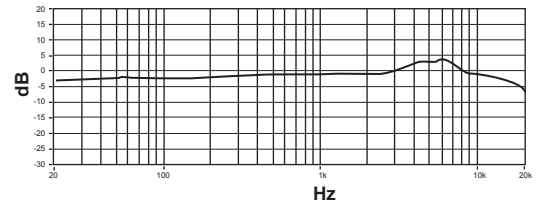
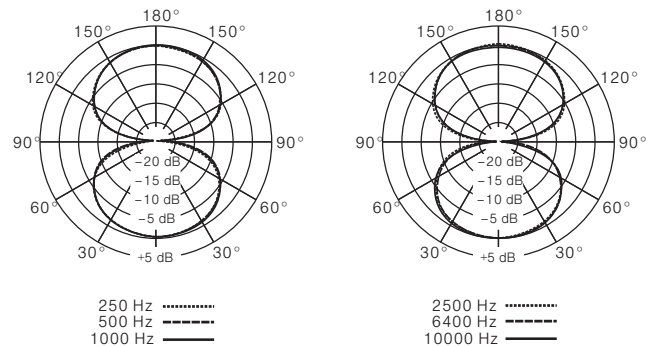
Frequency Response



Cardioid



Bidirectional



SHURE[®]
LEGENDARY
PERFORMANCE™

www.shure.com

©2015 Shure Incorporated