

ST Square Truss

Square Truss for mammoth loads

Square Trussing for mammoth loads

ST SQUARE TRUSS

The ST System meets the demand for a truss with a high load bearing capacity that lends itself to safe outdoor use, even at a free span of up to 24m at high load.

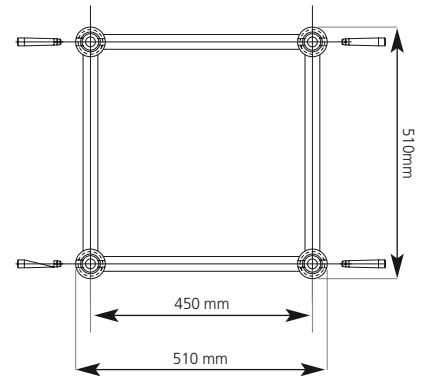
Due to the square profile geometry and the complete diagonal bracing, the ST Truss exhibits the same rigidity in vertical and horizontal directions and can thus be

used as support for huge spans in Rock and Roll Productions as well as Pre Rig.

The 4mm wall thickness reduces transportation damage and guarantees extreme durability.

Made with the fast connection system and approved according to the DIN 4113 specifications by the TUV.

Dimensions ST



ST SQUARE TRUSS FACTS

- Tolerance free connection with conical connector
- High Stability aluminium alloy
- Excellent load-bearing capacity combined with low dead weight
- 4mm Wall thickness of 50mm main tube
- Optimum dimensioning of all components
- Optimum manufacturing quality
- TuV approved
- High wear resistance



Measurement ST Truss

Main tube:	50x 4mm
Braces:	30x 3mm
Material:	EN AW-6082 T6
Connection:	CS3-CON
Weight:	~13,5 kg/m

Loadcases ST

Length (m)	10	12	14	16	18	20	22	24
CPL in kg	1629	1332	1117	951	820	712	621	543
Deflection (mm)	43	62	84	111	141	175	214	257
UDL in kg/mtr	326	222	160	119	91	71	56	45
Deflection (mm)	53	76	103	135	171	211	255	303

ST Square Truss

ST Corner Block allows various shapes

ST-SYSTEM

CORNER

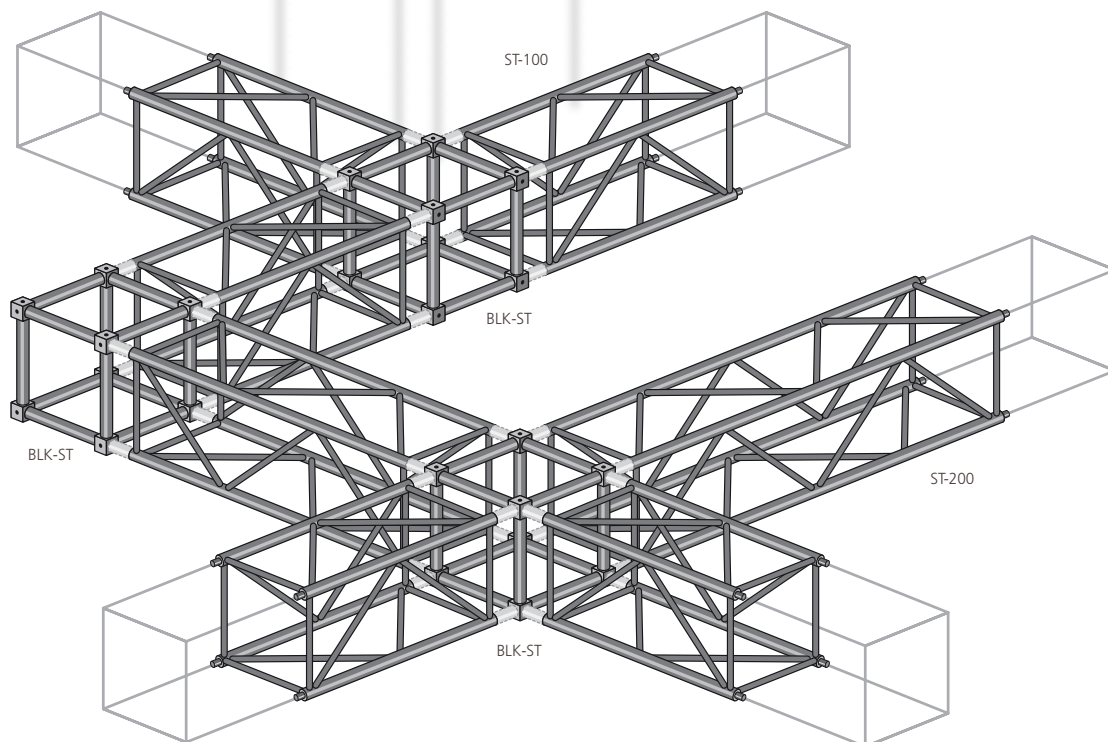
The universal corner block creates flexibility in making various shapes and structures.

The ST corner blocks have a standard bold on receiver attachment of a length of 85mm.

Complementary accessories and the article codes of the ST System can be found at the page 161.



One level construction

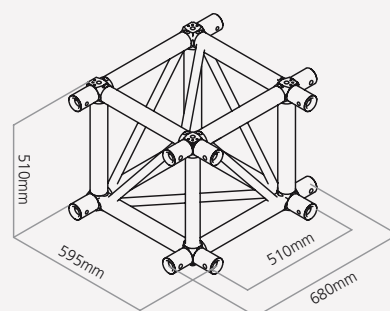


Measurement Corners for ST-System

Cornercode	Size in cm
2-Way BLK-ST	59,5 x 59,5
3-Way BLK-ST	68 x 59,5
4-Way BLK-ST	68 x 68
BLK-ST	90° in 6 dir.

Receiver	Size in cm
CS3-BOB85	85mm*

*4 pcs. required for one attachment



TT
XT
FT100
ST
FT50
XD